

1620 Programs from I.C.R., Physics Dept.

I. C. R. #1

D.J.H.

Three and Two Dimensional

Fourier Summation Program

for Crystal Structure Analysis
with Numerical and Alphanumerical Output

D. van der Helm

The Institute for Cancer Research
7701 Burholme Avenue
Philadelphia 11, Pa.

June 23, 1961

two errors : page 1.20

Contents

- I General Theory
- II Format of Input and Output
- III Operation
- IV Example
- V Program Listing
- VI Flow Sheets

The program (identification number 043001) is written for the I.B.M. 1620.

Memory: 20,000 digits

Input: Paper tape

Output: a. 12" carriage typewriter

b. 20" carriage typewriter (the latter is not absolutely necessary but allows for more freedom in the format of the output)

c. Tape

Limitations of the Program: See Section I

Timing: See Section I

Cells of the Program:

00029 - 00079	working storage
00100 - 00399	multiplication and addition tables
00402 - 00451	working storage
00452 - 00473	read-area
00474 - 00539	working storage
00540 - 05100	program
05100 - 05999	ccsine and sine table
06000 - 19479	storage for 1st and 2nd summation answers
19495 - 19999	storage for 3rd summation answers
10000 - 13750	initialization program

Hash Total: 67058544165826702962

Duplicating: Use the IBM library program: 1620 Numeric Tape Duplicator/Corrector.

FOURIER Example 622 909 784 700 595 447 26

I. General Theory

The electron density can be evaluated at each point, x, y, z of the unit cell by the formula

$$\rho(x,y,z) = \frac{2}{V} \sum_{h=0}^{\infty} \sum_{k=-\infty}^{\infty} \sum_{l=-\infty}^{\infty} A'(hkl) \cos 2\pi (hx + ky + lz) + B'(hkl) \sin 2\pi (hx + ky + lz) \quad (I,1)$$

To calculate a Fourier with this formula proves to be very uneconomical with respect to the computing time involved. In a practical example of a centrosymmetric space group with 2000 Fourier coefficients in which 25 points in the x - and y -direction and 50 points in the z direction have to be calculated, it would take the I.B.M. 1620 about 140 hours to perform the calculations (not including the typing out).

It is possible to rewrite formula I,1 (Lipson and Beevers) in the form:

$$\rho(xyz) = \frac{2}{V} \sum_{l=0}^{\infty} \left[\sum_{k=0}^{\infty} \left(\sum_{h=0}^{\infty} A(hkl) \cos 2\pi hx + E(hkl) \sin 2\pi hx \right) \cos 2\pi ky + \left(\sum_{h=0}^{\infty} F(hkl) \cos 2\pi hx + B(hkl) \sin 2\pi hx \right) \sin 2\pi ky \right] \cos 2\pi lz + \left[\sum_{k=0}^{\infty} \left(\sum_{h=0}^{\infty} G(hkl) \cos 2\pi hx + C(hkl) \sin 2\pi hx \right) \cos 2\pi ky + \left(\sum_{h=0}^{\infty} D(hkl) \cos 2\pi hx + H(hkl) \sin 2\pi hx \right) \sin 2\pi ky \right] \sin 2\pi lz \quad (I,2)$$

in which:

$$A = F(hkl) + F(\bar{h}kl) + F(h\bar{k}l) + F(hk\bar{l}) \quad I,3$$

$$B = -F(hkl) + F(\bar{h}kl) + F(h\bar{k}l) - F(hk\bar{l}) \quad I,4$$

$$C = -F(hkl) + F(\bar{h}kl) - F(h\bar{k}l) + F(hk\bar{l}) \quad I,5$$

$$D = -F(hkl) - F(\bar{h}kl) + F(h\bar{k}l) + F(hk\bar{l}) \quad I,6$$

In noncentrosymmetric space groups: $F(h_j) = A(h_j)$ and:

$$\begin{aligned}
 E &= B(hkl) - B(\bar{h}kl) + B(h\bar{k}l) + B(hk\bar{l}) && \text{I,7} \\
 F &= B(hkl) + B(\bar{h}kl) - B(h\bar{k}l) + B(hk\bar{l}) && \text{I,8} \\
 G &= B(hkl) + B(\bar{h}kl) + B(h\bar{k}l) - B(hk\bar{l}) && \text{I,9} \\
 H &= -B(hkl) + B(\bar{h}kl) + B(h\bar{k}l) + B(hk\bar{l}) && \text{I,10}
 \end{aligned}$$

A, B,.....E, should include a multiplicity factor.

The form (I,2) cuts the number of arithmetic operations by about a factor of 15. The logic however, and therefore the computer program, becomes more cumbersome and less clear. In fact it cuts the calculation up in three different parts, which are consecutive summations over each of the three axes.

Definition: We call a set of terms, A, B, C,.....H, with the same indices h, k and l, an amplitude.

In the first summation over h, sums are made of terms, which have different index h, but the same indices k and l. Pairs of sums are added together as shown in formula I,2.

Definition: Each group of amplitudes for which the indices k and l are the same is called a "group <kl>".

Thus sums are calculated (and pairs of sums) for each group <kl> and for all needed values of x in the first summation.

The difficulty which occurs will be clarified by an example. We want to make a Fourier synthesis with 1500 amplitudes, which are sorted in 250 groups <kl>. We want to calculate 26 sections on x (values of x). Each group <kl> gives rise to four sums (formula I,2) for each value of x. The total number of sums is therefore going to be $(250) \cdot (4) \cdot (26) = 26,000$ sums. The first possibility is to store all sums inside the computer. In the preceding example that is clearly impossible, and in general one should put severe limitations on the scope of the program.

The second possibility is to store the sums on paper tape, which makes a sort of the sums necessary. A sort with paper tape is however impractical and slow.

The third possibility, which is the one we choose, is to calculate in the first summation stage only for one value of x at a time. In other words to calculate only one section at a time. It is easily possible to store these sums (in the example: $(4) \cdot (250) = 1000$ sums) inside the computer.

The disadvantage of this approach is of course the fact that for each new section the data tape with amplitudes has to be fed in again. Reading paper tape is however much faster than punching data (10 times), which means that this method is (much) more economical in time (for this computer) than calculating the complete first summation all at once.

The calculations and results of the first summation stage are in this case:

$$M(k\ell X) = \sum_{h=c}^{\infty} A(hk\ell) \cos 2\pi hX + E(hk\ell) \sin 2\pi hX \quad (I,11)$$

$$N(k\ell X) = \sum_{h=c}^{\infty} F(hk\ell) \cos 2\pi hX + B(hk\ell) \sin 2\pi hX \quad (I,12)$$

$$O(k\ell X) = \sum_{h=c}^{\infty} G(hk\ell) \cos 2\pi hX + C(hk\ell) \sin 2\pi hX \quad (I,13)$$

$$P(k\ell X) = \sum_{h=c}^{\infty} D(hk\ell) \cos 2\pi hX + H(hk\ell) \sin 2\pi hX \quad (I,14)$$

in which X is a definite value of x.

These sums are stored with four digits each, while k and ℓ are stored with two digits each, inside the computer. One set of sums (from one group $\langle k\ell \rangle$) therefore occupies 20 digits of memory (thus using the variable word length feature of the computer to great avail). They are stored up to memory location 19479. During initialization the program calculates where to store the first set of sums (that is in location $19480 - \langle k\ell \rangle \cdot 20$). A value for the total number of groups $\langle k\ell \rangle$ has thus to be known beforehand.

Definition: $\langle k\ell \rangle =$ total number of "groups $\langle k\ell \rangle$ ".

Preferably one likes to reuse the storage area occupied by these first summation answers. In what way that is possible is discussed in the next few paragraphs.

The second summation uses the answers of the first summation as amplitudes and performs the following calculations: (See also I,2)

$$R(\ell, X, y) = \sum_{k=0}^{\infty} M(k\ell X) \cos 2\pi ky + N(k\ell X) \sin 2\pi ky \quad (I,15)$$

$$S(\ell, X, y) = \sum_{k=0}^{\infty} O(k\ell X) \cos 2\pi ky + P(k\ell X) \sin 2\pi ky \quad (I,16)$$

The summations are over k . Sums are made from sets of amplitudes (M, N, O, P) with the same ℓ (X is a definite value and thus for all amplitudes the same). The answers are two sums for each value of y and each value of ℓ .

Definitions:

N_y is the number of points calculated in the y -direction

N_z is the number of points calculated in the z -direction

When ℓ changes the $2 \cdot (N_y)$ sums: $R(\ell, X, y)$ and $S(\ell, X, y)$ are stored in memory locations 06000 and up (4-digits each), and the calculation proceeds with the next series of sets of amplitudes.

It appears useful to have all sets of amplitudes (M, N, O, P) with the same value of ℓ stored together. If the sets with $\ell=0$ are stored in the beginning of the storage area used for first summation answers, and if the ones for $\ell=1$ and $\ell=2$, etc., follow consecutively, it is possible to use this memory space again for the storage of the second summation answers, because first summation answers, after being used as amplitudes in the second summation, are allowed to be erased.

This procedure is followed and is the main principle of the program, and it enables us to use the memory space between 06000 and 19479 for 1st and 2nd summation answers both.

This does however imply a sorting order on the data tape. It is clear that in the consecutive amplitudes on the data tape the ℓ should change the least (in order to obtain the 1st summation answers in the necessary array) and that the h should

change the most, because the first summation is over h. That is a sorting order $h\bar{k}l$:
0,0,0; 1,0,0; h,0,0; 0,1,0; h,1,0; h,k,0; 0,0,1; 1,0,1; h,0,1; h,k,1; h,k,l. (See
also Sections II and IV.)

The third summation calculates:

$$\rho(X,y,z) = \sum_{\ell=0}^{\infty} R(\ell,X,y) \cos 2\pi \ell z + S(\ell,X,y) \sin 2\pi \ell z \tag{I,17}$$

using the second summation answers as amplitudes.

The procedure of the program is to calculate N_z sums for one value of y
(line y = constant) at a time, and the N_z answers are typed or punched out line after
line.

The manner in which the memory between locations 06000 and 19479 is used for
first and second summation answers indicates the limitations of the program. Neither
summation can occupy an area larger than 13480 digits.

For the first summation this means a limitation on the maximum number of groups
<kl> namely:

$$\langle kl \rangle_{\max} \leq 13480/20 = 674 \tag{I,18}$$

For the second summation it means a limitation on the maximum value of
(= L max) and N_y , namely

$$(N_y \cdot I_{\max}) \leq \frac{13480}{8} = 1685 \tag{I,19}$$

The program will stop and type out ER2, when a momentary overlap occurs of first and
second summation answers. That is when an attempt is made to store second summation
answers in an area in which first summation answers are stored which are not yet
used as amplitudes in the second summation.

It is not felt that the limitations are serious. In some cases the limits
might be a few percent smaller. They are only exact when

$$20 \cdot k_{\max} = 8 \cdot N_y \tag{I,20}$$

in each series of ℓ .

The approximate computing times for an example with 1500 amplitudes calculating a section of 25 by 50 points is given below with the main factor determining the computing time in each stage:

		due to:
Reading	220 sec	no. of amplitudes
1st summation	71 sec	$\langle kl \rangle$
2nd summation	277 sec	$\langle kl \rangle \cdot N_y$
3rd summation	480 sec	$\langle kl \rangle \cdot N_y \cdot N_z$
Typing	680 sec	$N_y \cdot N_z$

The program can just as well be used for an F^2 -synthesis of course.

II. Format of Input and Output

In the preceding section it was supposed that the first summation was over h , the second over k and the third over l , implying the sorting order $h\bar{k}l$ and implying sections $X = \text{constant}$.

It is however preferred to have more freedom in arranging the data and three reasons can be named.

- a. The ability to make sections in other directions.
- b. It might be necessary to sum in another order for instance when a programmed stop occurs (ER2 was mentioned in Section I).
- c. Another order of summations might also be preferred in view of the computation time (see timing table in Section I).

For convenience a conversion table is made: Table II, A.

The data tape. Indices are punched with two digits each, terms A-H with four digits each. Each amplitude is followed by a record mark (R.M.). For centrosymmetric space groups one punches only the terms A-D, and the fourth term is followed by a R.M. The first record on the tape has to be an identification (arbitrary number of digits) of the data tape, followed by a R.M. The last record should be any 6-digit number followed by a R.M.

We have written a program (partly checked out), which prepares the data tape (called S.F. - F.S. program). It takes the paper tape output of the structure factor program, sorts the amplitudes in the desired sorting order, combines the structure factor amplitudes to terms (A-H) and arranges the terms according to the sorting order. The synthesis can be brought on absolute scale by including $F(000)$ as term (A), and by multiplying the terms by the factor $2/V$ beforehand.

The output is either on the typewriter or on the typewriter and paper tape. In general one would use only typewriter output.

Typewriter. The sorting order is equivalent to the order of summation. The first index determines therefore on which axis the sections are. The second index determines the vertical and the third index the horizontal coordinate of the

sections in the typewritten output. The output is preceded by several alphanumeric headings and by one line of numbers, the last being identifications of the specification tape (see Section III), program tape and data tape respectively. The possible choices of the manner in which the answers are typed are described in Section III.

Paper tape. It is possible to punch all density maps out on paper tape together with the typewritten output, thus making a copy of the results on tape. The numerical answers of each section are preceded by the number of the section and each line of answers in the section is preceded by the number denoting the line. Each separate number is followed by a R.M. In the tape output the answers are preceded by the following records: a) identification of the specifications, b) specifications (see Section III), c) identification of the program tape, and d) identification of the data tape.

Projections are calculated as sections. The first index should always be zero (see Table II, A).

Conversion Table II, A

Sorting order	Terms	Sections on	Vertical coordinate	Horizontal coordinate
Indices	3-Dimensional			
$\vec{h} \vec{k} \vec{l}$	A B C D E F G H #	x	y	z
$\vec{k} \vec{h} \vec{l}$	A B D C F E G H #	y	x	z
$\vec{k} \vec{l} \vec{h}$	A D B C F G E H #	y	z	x
$\vec{h} \vec{l} \vec{k}$	A C B D E G F H #	x	z	y
$\vec{l} \vec{h} \vec{k}$	A C D B G E F H #	z	x	y
$\vec{l} \vec{k} \vec{h}$	A D C B G F E H #	z	y	x
	Input		Output	
	Projection			
$\vec{o} \vec{k} \vec{l}$	A O O D O F G O #	-	y	z
$\vec{o} \vec{h} \vec{l}$	A O O C O E G O #	-	x	z
$\vec{o} \vec{l} \vec{h}$	A O O C O G E O #	-	z	x
$\vec{o} \vec{l} \vec{k}$	A C O D O G F O #	-	z	y
$\vec{o} \vec{h} \vec{k}$	A C C B O E F O #	-	x	y
$\vec{o} \vec{k} \vec{h}$	A C C B O F E O #	-	y	x
	Input		Output	

Possible arrangements of the indices on a data tape with their implied sorting order and arrangement of terms, and the format of the typewritten output belonging to it.

III. Operation

a. One can discern the following stages during the operation

1. Loading of the program tape.
2. Tape feeding or typing of the specifications of the summation and the output.
3. Loading of the data tape.
4. Calculating and typing (and taping) of the results of one section.
5. If it was specified in 2. that more than one section had to be calculated: reloading of the data tape and returning to 4. If it was a projection of the last section: halting.

b. Switch settings

Parity : Stop
Input/Output : Stop
Overflow : Stop
Program Switch 1 : On

(When off it will type out all the answers of the first summation in unrounded and unshifted form. Can be used for checking.)

Program Switch 2 : See Section III d, 6, 8.
Program Switch 3 : See Section III d, 8.
Program Switch 4 : See Section III d, 1, 12.

c. Manual Operations

1. Clearing Memory: Insert; Key in : 16 00010 00000; Release; Start.
After clearing: Stop SCE; Reset.
2. Ready Tape Reader with program tape.
3. Loading of program tape : Insert; Key in : 36 00000 00300;
Release; Start.
4. Almost at the end of the program tape the loading will stop :
Press Start.

5. Follow instructions of the messages which are typed out. Always press Release and then Start after typing a specification in.

d. The remainder of this section is an explanation of some of the messages which are typed out. The number in parentheses after each message tells how many digits there are in the number and which have to be typed.

1. Message

"When specs are typed set S.W. 4 off. From tape S.W. 4 on."

In general the specifications of the summation will be typed in. In that case S.W. 4, that is Program Switch 4, should be off. It is however possible to prepare the specifications on tape beforehand. For the preparation of such a tape see Section III d, 12.

2. Message

"Type ident of specs tape now made."

It is necessary to type in a 6-digit number. The number itself is arbitrary but can be useful in a identification scheme.

3. Messages:

"Type 1st sum min."

"Type 1st sum max."

"Type 2nd sum min."

"Type 2nd sum max."

"Type 3rd sum min."

"Type 3rd sum max."

"Type 1st sum delta"

"Type 2nd sum delta"

"Type 3rd sum delta"

These determine the amount of the unit cell to be calculated and the grid spacing.

All are in hundredth of the cell edge. Furthermore:

$$\frac{n \text{ th sum max} - n \text{ th sum min}}{n \text{ th delta}} = p, \text{ in which } p \text{ should be an integer.}$$

The first and the final section are determined respectively by the values of "1st sum min" and "1st sum max." The interval of the sections between the final and the first are determined by "1st sum delta." For a projection the value of "1st sum min" should be typed equal to the value for "1st sum max" and 1st sum delta should be 00.

Similarly the remainder of the values to be typed in determine the part of the sections which needs to be calculated. The allowed range of the values belonging to the first 6 message are from 000 up to 100 and for the last three from 00 up to 98.

Any bloc of the unit cell can be calculated, and it is also possible in the same manner to calculate just one specified point in the unit cell.

4. Messages

"1st sum shift"

"2nd sum shift"

"3rd sum shift"

The program uses a table of cosine and sine values. The table contains 100 values of each and each having four decimal digits after the decimal point. The basic calculation of the Fourier summation is either: $Q_j \cos h_j x_p$ III,1
or: $Q_j \sin h_j x_p$ III,2
The values h_j are integers, and the values x_p always have two decimal digits after the decimal point. Therefore a table of 100 cosine and sine values is sufficient and a straight table look up can be used without interpolation.

The program accepts and works only with fixed decimal numbers, and it is therefore necessary to keep track of the decimal point.

The normal shift after a calculation of the type III,1 or III,2 is four places, due to the four decimal digits of the values in the trigonometric table. Thus typing in 04 for each of the three shift values will keep the decimal point in the answer at the same place as in the terms on the data tape (counted from the right of course).

Normally type 04 for each.

It might happen however that there is an accumulation in a particular sum which gives rise to an overflow (the machine will stop because 0-flow is on Stop). One has to restart the calculation by reloading the program tape and changing one of the three shift values (it is of course not necessary to recalculate the sections which are already finished).

It is necessary to consider which shift order has to be changed. There are three possibilities

i. There was a type out: ER. 3. This means an overflow in the 1st summation and therefore "1st sum shift" should now be typed in as 05 instead of 04.

If not check I.R. 1 (by putting Display at I.R. 1, and pressing Reset and Display Mar) It should have 02646. If not there is a programming error.

ii. Change 2nd sum shift: from 04 to 05 when the message "Horiz. Index" is not yet typed out.

iii. Change 3rd sum shift from 04 to 05 when this message: "Horiz. Index" has been typed out.

It is not likely but indeed possible that an overflow will occur even after a change in one of the shift values is made. The summation in which it happened can again be tied down in the manner described above.

On the other hand it is possible that one would like to have the answers with one more digit after the decimal point. This can be achieved most effectively by changing the value of the 1st sum shift from 04 to 03, but can also be done in either of the other summations.

Shift values 02, 03, 04, 05 and 06 can be used in each summation.

5. Message:

"Type in number of answers on a row."

This message will be typed out when P.S. 2 is on. With P.S. 2 on the output will be in numerical form.

With a normal length typewriter carriage it is generally impossible to get all N_z (see Section I) values for one line, $y = \text{constant}$, on one horizontal row. The program is normally set for 16 numerical answers on one row. The first answer on the next row will be a repeat of the last answer on the former row, giving a fairly regular array with multiples $z_{\min} + \Delta z .15$ below each other on the first vertical line of answers.

Thus type in normally: 016. However any other number can be typed in. Typing in 011, will result in listing the answers with multiples $z_{\min} + \Delta z .10$ below each other on the first line.

6. Message

"Output. Type only =1. Tape and type =0."

As was mentioned before, it is possible to make a paper tape copy of the numerical results of the calculation, which may later be used for peak analysis or in the case of a F^2 -synthesis, for a superposition procedure. Part of the paper tape output is the specification record, which holds such parameters as were described in Section III d, 3. These summation parameters, determine exactly the array of numbers of the paper tape: general specifications, section identification, line identifications and results.

7. Messages

"Type horiz. spacing"

"Type vert. spacing"

"Type shift spacing"

"Type high limit of peaks"

"Type low limit of peaks"

These messages will be typed out when program switch 2 is off. When P.S. 2 is off the output will be in alphanumerical form.

In order to save the time consumed by plotting manually the numerical answers on the grid of the unit cell, a direct plotting system was devised on an approximate grid.

For this purpose each four digit numerical answer is translated into a one digit alphanumerical answer.

The first three messages. The relative dimensions of the grid can be approached as closely as possible by spacing horizontally (between the one digit answers) and vertically (between the lines). Typing in 00 is interpreted as the normal spacing of the typewriter either horizontally or vertically. Typing 01 will result in one extra space between either the one digit answers or the lines. Similarly 02 will result in two extra spaces etc. An askew cell instead of a rectangular one can be approximated by shifting (00, 01, or more spaces) the next line with respect to the former one. For a rectangular cell type in 00. For an askew cell type in 01, 02 or more. (The 20" carriage can be very useful in this respect. By changing a few program orders it is possible to shift a line every other line or even less.)

The last two messages. Used as one digit answers are: 41 (=A) up to 79 (=alphanumerical 9). There are thus 39 different answers possible. The characters 50 and 60 are always printed as a space (blank).

If the answers go up to +9999, and down to -9999, one has to type in for the high limit (=H): 09999 and for the low limit (=L): 9999̄. It is then necessary to bring all answers in between -9999 and +9999 into the range from 41 to 79, which is of course possible by using a proper scale and base factor (both of which are calculated by the program). In this case an answer P is brought into this range in the program by means of:

$$\frac{P-L}{H-L} \cdot 39 + 41 = \frac{P-(-9999)}{19998} \cdot 39 + 41$$

III,3

and so is any answer $9999 \leq P \leq -9999$.

If the highest answer is 1000 instead of 9999, and the lowest -1000 instead of -9999, only a small part of the possible range should be used in fact only from Q-S, when H was put to +9999 and L put to -9999. In this way all detail in the Fourier might get lost.

It is therefore made possible to type in any high and low limit (with no more than 4 digits). It is not necessary that all the answers fall within the limits. If an answer is outside the limits, the program will insert and type a blank.

8. The use of Program Switch 3.

i. When P.S. 2 is off.

That is in the alphanumerical output. In the direct alphanumerical plotting of a Fourier it is sometimes clarifying to show only the peaks and to suppress the printing of the base level of a Fourier. This can be achieved by setting P.S. 3 on when P.S. 2 is off. The result of this setting is that the printing of all characters below 60 (A up to R) is suppressed and a blank (space) is printed instead. In other words all answers below $\frac{(H+L)}{2}$, will not be printed.

By proper use of H, L and P.S. 3 one has a great variety of alphanumerical outputs.

When P.S. 3 is on, the character 70 is printed as a zero. When P.S. 3 is off it is transcribed as a space (as are 50 and 60).

These spaces (50,60,70) might possibly be used as contour lines, although we have not had much success with this as yet.

ii. When P.S. 2 is on.

That is in the numeric output. When one does a projection it is sometimes quite impossible to guess what the upper and lower limits are. Of course one might do the projection first numerically, then reload the program and recalculate the projection alphanumerically. It is however possible to repeat only the third summation, without reloading the program.

When program switch 2 and 3 are both set on, the computer will stop after the numerical output is finished and type out the message:

"Set P.S. 2,3. Type alphaspecs."

One has then to set P.S. 2 to off (for alphanumerical output) and P.S. 3 to choice (see Section III d, 7, 8i) and has to type in three 2-digit, one 5-digit, and one 4-digit numbers (with flags over the left-most digits of each number), which are respectively; horizontal space, vertical space, shift space, high limit (H), and low limit (L). See Section III d,7. The last two values H and L are known at this moment. Press Release and then Start and the computer will proceed by plotting this projection again, but now in the desired alphanumerical format.

When it was not a projection but a section the program switches might have to be reset before proceeding with the next section, but not necessarily.

9. Recapitulation of the use of program switches 2 and 3.

i. P.S. 2 off; P.S. 3 off.

Alphanumerical output with 38 characters (A-9).

ii. P.S. 2 off; P.S. 3 on.

Alphanumerical output. Characters /-9 are printed and the characters A-R are transcribed as spaces.

iii. P.S. 2 on; P.S. 3 on.

First numerical output followed by an alphanumerical output (after resetting the switches) of the same projection or section.

iv. P.S. 2 on; P.S. 3 off.

Numerical output.

10. Message

"Type number of groups"

This message requests the typing in of the total number of "groups <kl>".

The meaning of the term "group <kl>" was explained in Section I.

If one erroneously types in this number too small, it will result in error type out; ER 1, which means that the assigned area for the first summation is too small and overflows. The program has to be reloaded in this case. Typing in the number too large does not have immediate repercussions. It can only result in an unnecessary ER 2 type out (momentary overlap of 2nd summation amplitudes and answers; see Section I), because the area assigned by the program to the first summation answers is larger than necessary.

For a projection the number of "groups" is the total number of data.

11. Message

"centrosymm = 1, noncentrosymm = 0"

Essentially all space-groups are dealt with as either P_1 or $P_{\bar{1}}$.

In the first summation only the terms A-D are used when the space-group is centrosymmetric (type in 1), while all terms A-H are used when the space-group is noncentrosymmetric (type in 0). (See also Sections I and II.)

More time is won in the program during the first summation by skipping each term, which is zero.

A loss in time might occur in the 2nd summation for certain space groups, but there is no loss in computing time in the third summation by taking this approach.

12. Message

"Load specification tape"

All the specifications of the summations so far described can be put on a tape with an off-line typewriter and loaded instead of being typed, by setting P.S. 4 on.

The first record on this specification tape should be a 6-digit identification (followed by a record mark).

The next record should be a succession of the following specifications:

1st sum min	3 digits
1st sum max	3 "
2nd sum min	3 "
2nd sum max	3 "
3rd sum min	3 "
3rd sum max	3 "
1st sum delta	2 "
2nd sum delta	2 "
3rd sum delta	2 "
1st sum shift	2 "
2nd sum shift	2 "
3rd sum shift	2 "
horiz. spacing	2 "
vert. spacing	2 "
shift spacing	2 "
high limit	5 "
low limit	4 "
number of groups	4 "
centro/noncentro	1 digit
record mark	1 "

(All but the last two with flags on the left-most digit)

13. Message

"Mcoi"

This is typed out when the calculation is finished.

14. Messages

"Er 1"

"Er 2"

"Er 3"

These messages indicate errors. It will always be necessary to reload the program. Each of them indicate a mistake in planning the calculation, which has to be corrected.

Er 1: The number of "groups <kl>" is typed in too small (see Section III d, 10).

Er 2: Momentary overlap of first and second summations answers (see Section III d, 10 and Section I).

Er 3: Overflow in the 1st summation (see Section III d, 4).

15. Tab stops and margin settings.

i. Numerical type out.

With 16 answers on a row the margins should be 86 positions apart.

There should always be tab stops at the ⁴5th and 42nd position from the left margin.

ii. Alphanumerical type out.

The margin will depend on the shape of the grid which is chosen.

There should be a tab stop at the 42nd and 5th position (the last may be changed) from the left margin.

16. More details of the program can be obtained from the flow sheets and program listing. The author would appreciate notification of program errors.

I would like to thank Miss Evelyn Wydro for preparing the program tape and typing this manuscript.

IV. Example

A part of a Fourier projection (001) of the compound 5-azidopurine will be calculated.

The spacegroup was taken as P nma. The actual spacegroup is P na₂₁, but this does not change the appearance of the projection along the c-axis, which we want to calculate.

In the International Tables, Vol. I, the formulas for the space group P nma are given. In the expression for the electron density therefore the b- and the c-axis should be interchanged, giving on a arbitrary scale (leaving out the parts for l is odd).

$$\rho(x,y,z) = \sum_{h,k}^{\infty} F(hkl) \cos 2\pi hx \cos 2\pi ky \cos 2\pi lz$$

h + k even, l even

$$- \sum_{h,k}^{\infty} F(hkl) \sin 2\pi hx \sin 2\pi ky \cos 2\pi lz$$

h + k odd, l even

(IV,1)

This means that for h - k even, F(hkl) is equal to the term (A) and for h + k odd, F(hkl) is equal to the term B (see formula I,2: cos cos cos → A, sin sin cos → B)

In the output we would like as horizontal coordinate x and as vertical coordinate y. This implies a sorting order okh. According to Table II, A, the data should therefore be punched as follows:

k h A B
 00 xx xx xxxxx 00000 00000 xxxxx #, as is shown in the print out of the data tape.

Two examples follow. P.S. 4 should be off in both.

a. We want to calculate the projection from y = 0.28 up till y = 0.47, with intervals of .01 and from z = 0.00 up till z = 0.30 with intervals of .02.

The third sum shift order is taken as 05 which is not necessary with respect to overflow, but convenient.

We want an alphanumerical output thus P.S. 2 is off. Horizontally we want one extra space between the answers and vertically no extra space in order to obtain the approximate dimensions of the grid ($a = 11.72 \text{ \AA}^\circ$ and $b = 17.06 \text{ \AA}^\circ$). The shift spacing should be zero because it is an orthorhombic space group and the axes are perpendicular.

From a previous calculation of this projection we know that the answers are roughly in between -200 and +800. We want only the peaks and not the base level thus P.S. 3 is on. If we now should put H equal to 00800 and L equal to 0200, we should only print for answers with a numerical value above +300 (see Section III d, 8), and should suppress the printing of quite a large, and possibly important, part of the peak. This can be evaded however by making L lower than -200, for instance: -550. Doing so all answers with a numerical value above +125 are translated into an alphanumerical character and printed, thus plotting a larger part of the peak.

The number of groups is 0194 and this can be checked in the print out of the data tape as being the number of data of the projection.

The messages and results of this first example are shown in figure IV, A.

b. The second example is a numeric print out (P.S. 2 on) of the same part of the projection. The only difference is that now the interval along the y-axis is taken as .02 instead of .01. The value p (explained in Section III d, 3) would then become a non-integer however. This can be corrected by typing in an even instead of an odd value for y max., for instance 0.46. We want only the numeric print out and P.S. 3 should therefore be off.

The messages and results of the second example are given in figure IV, B.


```

160001000000
360000000300
SET PROGRAM SWITCHES
WHEN SPECS ARE TYPED SET SW4 OFF FROM TAPE SW4 ON
TYPE IDENT OF SPECS TAPE NOW MADE(6)      555555
TYPE 1ST SUM MIN.(3)                        000
TYPE 1ST SUM MAX.(3)                        000
TYPE 2ND SUM MIN.(3)                        028
TYPE 2ND SUM MAX.(3)                        047
TYPE 3RD SUM MIN.(3)                        000
TYPE 3RD SUM MAX.(3)                        030
TYPE 1ST SUM DELTA(2)                       00
TYPE 2ND SUM DELTA(2)                       01
TYPE 3RD SUM DELTA(2)                       02
TYPE 1ST SUM SHIFT(2)                       04
TYPE 2ND SUM SHIFT(2)                       04
TYPE 3RD SUM SHIFT(2)                       05
TYPE HORIZ.SPACING(2)                       01
TYPE VERT.SPACING(2)                        00
TYPE SHIFT SPACING(2)                       00
TYPE HIGH LIMIT OF PEAKS(5)                 00800
TYPE LOW LIMIT OF PEAKS(4)                  0550
TYPE NUMBER OF GROUPS(4)                    0194
CENTROSYM=1, NONCENTROSYM=0 (1)            1
MAKE LEADER, SPECS TAPE IS PUNCHED OUT
LOAD DATA TAPE
043001555555000522
XMIN3=.00 XMAX3=0.30 DELTA3=.02

```

SECTION 000

HORIZ. INDEX3

```

028      T U          U V /
029      S Z 1 U      / Y O U
030      U 3 5 Y      S Z 1 V
031      U 3 6 Z / / X Z U
032      S Z 1 W      S U
033      T U S
034
035
036      U T          S O 3 Y
037      T Z 0 J      T 2 6 Z
038      U 2 4 X      S O 2 W
039      U 1 3 X / / / U V /
040      / W Y V T V X U /
041      S / T O 3 Z S
042      T 1 5 O S
043      / Y 1 W
044      T U /
045
046
047
M001

```

EXAMPLE LV, A

```

160001000000
360000000300
SET PROGRAM SWITCHES
WHEN SPECS ARE TYPED SET SW4 OFF FROM TAPE SW4 ON
TYPE IDENT OF SPECS TAPE NOW MADE(6)      555556
TYPE 1ST SUM MIN.(3)                        000
TYPE 1ST SUM MAX.(3)                        000
TYPE 2ND SUM MIN.(3)                        028
TYPE 2ND SUM MAX.(3)                        046
TYPE 3RD SUM MIN.(3)                        000
TYPE 3RD SUM MAX.(3)                        030
TYPE 1ST SUM DELTA(2)                       00
TYPE 2ND SUM DELTA(2)                       02
TYPE 3RD SUM DELTA(2)                       02
TYPE 1ST SUM SHIFT(2)                       04
TYPE 2ND SUM SHIFT(2)                       04
TYPE 3RD SUM SHIFT(2)                       05
TYPE NUMBER OF GROUPS(4)                    0194
CENTROSYM=1, NONCENTROSYM=0 (1)            1
MAKE LEADER. SPECS TAPE IS PUNCHED OUT
TYPE IN NUMBER OF ANSWERS ON A ROW(3)      011
OUTPUT. TYPE ONLY=1, TAPE AND TYPE=0 (1)    1
LOAD DATA TAPE
043001555556000522
XMIN3=.00 XMAX3=0.30 DELTA3=.02

```

SECTION 000

HORIZ. INDEX3

028	33	41	95	236	281	127	5	95	283	309	172
	172	19	74	123	154	166					
030	44	34	276	592	672	412	138	195	454	525	318
	318	67	59	108	147	157					
032	67	4	198	439	518	337	108	73	205	256	133
	133	24	83	94	127	164					
034	93	34	31	75	65	44	29	8	17	20	86
	86	104	41	53	122	166					
036	34	115	253	242	99	7	39	51	39	194	479
	479	592	398	107	64	124					
038	35	282	555	610	373	111	29	22	23	192	471
	471	560	350	81	69	129					
040	7	143	334	398	284	217	307	372	274	156	116
	116	75	12	78	109	138					
042	92	73	21	16	60	233	511	638	468	186	2
	2	73	90	94	117	138					
044	138	137	103	70	38	62	213	267	160	11	65
	65	84	100	138	163	146					
046	154	168	150	120	118	111	74	55	78	107	124
	124	140	167	180	173	134					

MOO I

2005 22
 2005 23
 2005 24
 2005 25
 2005 26
 2005 27
 2005 28
 2005 29
 2005 30
 2005 31
 2005 32
 2005 33
 2005 34
 2005 35
 2005 36
 2005 37
 2005 38
 2005 39
 2005 40
 2005 41
 2005 42
 2005 43
 2005 44
 2005 45
 2005 46
 2005 47
 2005 48
 2005 49
 2005 50
 2005 51
 2005 52
 2005 53
 2005 54
 2005 55
 2005 56
 2005 57
 2005 58
 2005 59
 2005 60
 2005 61
 2005 62
 2005 63
 2005 64
 2005 65
 2005 66
 2005 67
 2005 68
 2005 69
 2005 70
 2005 71
 2005 72
 2005 73
 2005 74
 2005 75
 2005 76
 2005 77
 2005 78
 2005 79
 2005 80
 2005 81
 2005 82
 2005 83
 2005 84
 2005 85
 2005 86
 2005 87
 2005 88
 2005 89
 2005 90
 2005 91
 2005 92
 2005 93
 2005 94
 2005 95
 2005 96
 2005 97
 2005 98
 2005 99
 2005 100

2005 101
 2005 102
 2005 103
 2005 104
 2005 105
 2005 106
 2005 107
 2005 108
 2005 109
 2005 110
 2005 111
 2005 112
 2005 113
 2005 114
 2005 115
 2005 116
 2005 117
 2005 118
 2005 119
 2005 120
 2005 121
 2005 122
 2005 123
 2005 124
 2005 125
 2005 126
 2005 127
 2005 128
 2005 129
 2005 130
 2005 131
 2005 132
 2005 133
 2005 134
 2005 135
 2005 136
 2005 137
 2005 138
 2005 139
 2005 140
 2005 141
 2005 142
 2005 143
 2005 144
 2005 145
 2005 146
 2005 147
 2005 148
 2005 149
 2005 150
 2005 151
 2005 152
 2005 153
 2005 154
 2005 155
 2005 156
 2005 157
 2005 158
 2005 159
 2005 160
 2005 161
 2005 162
 2005 163
 2005 164
 2005 165
 2005 166
 2005 167
 2005 168
 2005 169
 2005 170
 2005 171
 2005 172
 2005 173
 2005 174
 2005 175
 2005 176
 2005 177
 2005 178
 2005 179
 2005 180
 2005 181
 2005 182
 2005 183
 2005 184
 2005 185
 2005 186
 2005 187
 2005 188
 2005 189
 2005 190
 2005 191
 2005 192
 2005 193
 2005 194
 2005 195
 2005 196
 2005 197
 2005 198
 2005 199
 2005 200

SECTION V

END OF PASS I

★
★ THREE DIMENSIONAL FOURIER SUMMATION PROGRAM
★

	DORG	540	00540		
START2	RCTY		00540	34	00000 00102
	WATY	IDENT6	00552	39	05047 00100
	TR	402,29	00564	31	00402 00029
	H		00576	48	00000 00000
	RNPT	15000	00588	36	15000 00300

★
★ INITIALIZATION OF FIRST SUM ANSWER LOCATIONS
★

START0	SM	450,1,10	00600	12	00450 00001
	MM	450,20,10	00612	13	00450 00020
	SF	95	00624	32	00095 00000
	S	CONS12,99	00636	22	04959 00099
	TF	NEWS12+6,CONS12	00648	26	01430 04959
	TF	SUM401+11,CONS12	00660	26	02181 04959
	SM	CONS12,4,10	00672	12	04959 00004
	TF	NEWS15+6,CONS12	00684	26	01538 04959
	TF	SUM00+6,CONS12	00696	26	02140 04959
	SM	CONS12,2,10	00708	12	04959 00002
	TF	NEWS14+6,CONS12	00720	26	01526 04959
	TF	SUM02+11,CONS12	00732	26	02265 04959
	AM	CONS12,6,10	00744	11	04959 00006
	A	CONS12,99	00756	21	04959 00099
	TFM	COUNT9,0,9	00768	16	05023 00000
	RCTY		00780	34	00000 00102
	WATY	IDENT1	00792	39	04937 00100
	TF	IDENT4-1,SECTX	00804	26	04903 04954
	SPTY		00816	34	00000 00101
	WNTY	IDENT4-3	00828	38	04901 00100
	BD	NEWS00, TYPTAP	00840	43	00864 04874
	WNPT	IDENT4-3	00852	38	04901 00200

★
★ FIRST SUMMATION, SELECTION OF AMPLITUDES AND ARRANGING
★ OF TRIGONOMETRIC VALUES
★

NEWS00	RNPT	452	00864	36	00452 00300
FIRSSM	TF	GROUP2,455,,PAGEB	00876	26	04961 00455
	TF	GROUP3,457	00888	26	04963 00457
	TF	19969,ZERO10	00900	26	19969 04973
	TF	19979,ZERO10	00912	26	19979 04973
	TF	19989,ZERO10	00924	26	19989 04973
	TF	19999,ZERO10	00936	26	19999 04973
NEWS13	C	455,GROUP2	00948	24	00455 04961
	BNZ	NEWS09	00960	47	01352 01200
	C	457,GROUP3	00972	24	00457 04963
	BNZ	NEWS09	00984	47	01352 01200
	M	453,SECTX	00996	23	00453 04954
	SF	98	01008	32	00098 00000
	TF	ARGUM,99	01020	26	04976 00099
	MM	ARGUM,9,10	01032	13	04976 00009
	A	NEWS04+11,99	01044	21	01067 00099

NEWS04	TR	518,510,8	01056	31	00518	05100
	S	NEWS04+11,99	01068	22	01067	00099
	TR	502,518	01080	31	00502	00518
	TF	513,509	01092	26	00513	00509
	TF	517,505	01104	26	00517	00505
	TF	NEWS53+11,CONS53	01116	26	01223	04924
	TFM	NEWS52+6,461,9	01128	16	01194	00461

*
* FIRST SUMMATION, MULTIPLICATION AND SUMMING
*

NEWS57	TFM	NEWS54+6,19969,7	01140	16	01230	T9969
	TFM	NUMB00,4,10	01152	16	04984	00004
NEWS55	SM	NUMB00,1,10	01164	12	04984	00001
NEWS56	BN	NEWS50,2	01176	47	01284	01300
NEWS52	CM	461,0,48	01188	14	00461	00000
	BZ	NEWS51	01200	46	01236	01200
NEWS53	M	461,505,4	01212	23	00461	00505
NEWS54	A	19969,99,2	01224	21	T9969	00099
NEWS51	AM	NEWS52+6,4,10	01236	11	01194	00004
	A	NEWS53+11,CONS02	01248	21	01223	04982
	AM	NEWS54+6,10,10	01260	11	01230	00010
	B	NEWS55	01272	49	01164	00000
NEWS50	SM	NEWS53+11,8,10	01284	12	01223	00008
	AM	NEWS56+6,36,10	01296	11	01182	00036
	B	NEWS57	01308	49	01140	00000
	SM	NEWS56+6,36,10	01320	12	01182	00036
NEWS58	RMPT	452	01332	36	00452	00300
	B	NEWS13	01344	49	00948	00000
	DORG	*-3	01352			

*
* FIRST SUMMATION, ROUNDING AND STORING
*

NEWS09	TFM	NUMB00,4,10	01352	16	04984	00004
NEWS10	TF	539,19969,7	01364	26	00539	T9969
NEWS20	SF	532	01376	32	00532	00000
NEWS21	AM	536,5,10	01388	11	00536	00005
NEWS22	BNF	NEWS12,539	01400	44	01424	00539
NEWS24	SF	535	01412	32	00535	00000
NEWS12	TF	19467,535,27	01424	26	T9467	00535
NEWS19	BD	NEWS16,531	01436	43	01690	00531
NEWS17	AM	NEWS10+11,10,10	01448	11	01375	00010
	AM	NEWS12+6,4,10	01460	11	01430	00004
	SM	NUMB00,1,10	01472	12	04984	00001
	BNZ	NEWS10	01484	47	01364	01200
	SM	NEWS10+11,40,10	01496	12	01375	00040
	AM	NEWS12+6,4,10	01508	11	01430	00004
NEWS14	TF	19461,GROUP2,2	01520	26	T9461	04961
NEWS15	TF	19463,GROUP3,2	01532	26	T9463	04963
	BGI	NEWS18	01544	46	01604	00100
	TF	19957,GROUP2	01556	26	19957	04961
	TF	19959,GROUP3	01568	26	19959	04963
	RCY		01580	34	00000	00102
	DNTY	19956	01592	35	19956	00100
NEWS18	AM	NEWS14+6,20,10	01604	11	01526	00020
	AM	NEWS15+6,20,10	01616	11	01538	00020
	AM	COUNTS,1,10	01628	11	05023	00001
	BNR	FIRSSM,458	01640	45	00876	00458
	CM	NEWS14+6,19481,7	01652	14	01526	T9481
	BNP	SECINI	01664	47	01704	01100
	WATY	INFOM1	01676	39	05077	00100
	H		01688	48	00000	00000

	DORG *-9	01690			
NEWS16	WATY INFOM3	01690	39	05093	00100
	H	01702	48	00000	00000
	DORG *-9	01704			

*
* INITIALIZATION OF SECOND SUMMATION
*

SECIN1	S	413, 410, PAGEC	01704	22	00413	00410
	TFM	COUNT1, 0, 9	01716	16	05031	00000
SECIN8	AM	COUNT1, 1, 10	01728	11	05031	00001
	CM	413, 0, 9	01740	14	00413	00000
	BZ	SECIN9	01752	46	01784	01200
	S	413, 423	01764	22	00413	00423
	B	SECIN8	01776	49	01728	00000
	DORG *-3		01784			
SECIN9	TF	NUMBR2, COUNT1	01784	26	04900	05031
	MM	NUMBR2, 2, 10	01796	13	04900	00002
	TF	CONS05, 99	01808	26	04992	00099
	MM	NUMBR2, 8, 10	01820	13	04900	00008
	TF	CONS04, 99	01832	26	05013	00099
	TFM	SECIN3+6, 60, 3, 7	01844	16	02054	06003
	TFM	SUBR02+6, 6003, 7	01856	16	02640	06003
	TF	DELTA, 423	01868	26	05015	00423
	TF	XMIN1, 41	01880	26	05018	00410
	TFM	SUBR06+11, NUMBR2, 7	01892	16	02381	04900
	TFM	SUBR14+11, 4, 10	01904	16	02749	00004
	TFM	SUBR13+11, 2, 10	01916	16	02525	00002
	SM	429, 10, 10	01928	12	00429	00010
	CF	429	01940	33	00429	00000
	TD	SUBR07+6, 429	01952	25	02604	00429
	SM	429, 1, 10	01964	12	00429	00001
	TD	SUBR02+11, 429	01976	25	02645	00429
	TD	SUBR19+6, 429	01988	25	02628	00429
	SM	429, 3, 10	02000	12	00429	00003
	YD	SUBR11+6, 429	02012	25	02592	00429
	TFM	INDEX3, 0, 10	02024	16	05020	00000

*
* SECOND SUMMATION, PREPARING OF STORAGE FOR NEXT SERIES
*

SECIN4	TF	CLEAR1, CONS05	02036	26	05028	04992
SECIN3	TFM	6003, 0, 28	02048	16	06003	00000
	AM	SECIN3+6, 4, 10	02060	11	02054	00004
	SM	CLEAR1, 1, 10	02072	12	05028	00001
	BNZ	SECIN3	02084	47	02048	01200
	C	SECIN3+6, SUMM01+11	02096	24	02054	02181
	BN	SUMM00	02108	47	02134	01300
	WATY	INFOM2	02120	39	05085	00100
	H		02132	48	00000	00000
	DORG *-9		02134			

*
* SECOND SUMMATION, SELECTION OF ANPLITUDES
*

SUMM00	C	19463, INDEX3, 2	02134	24	T9463	05020
	BNZ	SECIN5	02146	47	02334	01200
	TFM	NUMB00, 4, 10	02158	16	04984	00004
SUMM01	TF	461, 19467, 57	02170	26	00461	T9467
	AM	SUMM01+11, 4, 10	02182	11	02181	00004
	AM	SUMM01+6, 4, 10	02194	11	02176	00004
	SM	NUMB00, 1, 10	02206	12	04984	00001
	BNZ	SUMM01	02218	47	02170	01200

	SM	SUMMO1+6, 16, 10	02230	12	02176	00016
	AM	SUMMO1+11, 4, 10	02242	11	02181	00004
SUMMO2	BT	SUBRO6, 19461, 7	02254	27	02370	T9461
	S	SUBRO2+6, CONSO4	02266	22	02640	05013
	AM	SUMMO +6, 20, 10	02278	11	02140	00020
	AM	SUMMO2+11, 20, 10	02290	11	02265	00020
	SM	COUNT9, 1, 10	02302	12	05023	00001
	BZ	THRINO	02314	46	02816	01200
	\	SUMMO0	02326	49	02134	00000
	DORG	*-3	02334			
SECINS	A	SUBRO2+6, CONSO4	02334	21	02640	05013
	AM	INDEX3, 1, 10	02346	11	05020	00001
	B	ECIN4	02358	49	02036	00000

*
 * SUBROUTINE, MULTIPLICATION AND SUMMING USED IN SECOND
 * AND THIRD SUMMATION
 *

SUBRO6	TF	COUNT1, NUMBR2	02370	26	05031	04900
	M	SUBRO6-1, DELTA	02382	23	02369	05015
	SF	98	02394	32	00098	00000
	TF	ADDIN, 99	02406	26	05033	00099
	M	SUBRO6-1, XMINT	02418	23	02369	05018
	SF	97	02430	32	00097	00000
	TF	ARGUM, 99	02442	26	04976	00099
SUBR14	BD	SUBR10, ARGUM-2	02454	43	02794	04974
SUBRO9	MM	ARGUM, 9, 10	02466	13	04976	00009
	A	SUBRO1+11, 99	02478	21	02501	00099
SUBRO1	TR	491, 5101, 7	02490	31	00491	05100
	S	SUBRO1+11, 99	02502	22	02501	00099
SUBR13	TFM	COUNT2, 2, 1	02514	16	05035	00002
	M	494, 461	02526	23	00494	00461
	TF	539, 99	02538	26	00539	00099
	M	498, 455	02550	23	00498	00465
	A	539, 99	02562	21	00539	00099
SUBR13	CF	532	02574	33	00532	00000
SUBR11	SF	532	02586	32	00532	00000
SUBRO7	AM	536, 5, 10	02598	11	00536	00005
	BNF	SUBRO2, 539	02610	44	02634	00539
SUBR19	SF	535	02622	32	00535	00000
SUBR12	A	603, 535, 2	02634	21	06003	00535
	SM	COUNT2, 1, 10	02646	12	05035	00001
	BZ	SUBR14	02658	46	02738	01200
	AM	SUBRO2+6, 4, 10	02670	11	02640	00004
	M	494, 469	02682	23	00494	00469
	TF	539, 99	02694	26	00539	00099
	M	498, 473	02706	23	00498	00473
	A	539, 99	02718	21	00539	00099
	B	SUBR13	02730	49	02574	00000
	DORG	*-3	02738			
SUBR14	AM	SUBRO2+6, 4, 10	02738	11	02640	00004
	SM	COUNT1, 1, 10	02750	12	05031	00001
	BZ	SUBRO5	02762	46	02814	01200
	A	ARGUM, ADDIN	02774	21	04976	05033
	B	SUBRO4	02786	49	02454	00000
	DORG	*-3	02794			
SUBR10	TOM	ARGUM-2, 0, 11	02794	15	04974	00000
	B	SUBRO9	02806	49	02466	00000
	DORG	*-3	02814			
SUBRO5	BB		02814	42	00000	00000
	DORG	*-9	02816			

* INITIALIZATION OF THIRD SUMMATION

THRINO	TR	402,29	02816	31	00402	00029
	S	442,446	02828	22	00442	00446
	TF	DIVIS1,DIVISC	02840	26	04998	05004
	TFM	ALPHC1,0,7	02852	16	05041	00000
THRIN3	AM	ALPHC1,1,10	02864	11	05041	00001
	S	DIVIS1,442	02876	22	04998	00442
	BNN	THRIN3	02888	46	02864	01300
	TFM	SHIFTC,0,9	02900	16	05044	00000
	TR	19488,WRALPA-3	02912	31	19488	05005
	TFM	THR104+11,6003,7	02924	16	03503	06003
	TFM	THR105+11,6007,7	02936	16	03515	06007
	RCTY		02948	34	00000	00102
	WATY	IDENT2	02960	39	04795	00100
	RCTY		02972	34	00000	00102
	S	419,416	02984	22	00419	00416
	TFM	COUNT1,0,9	02996	16	05031	00000
THRIN1	AM	COUNT1,1,10	03008	11	05031	00001
	CM	419,0,9	03020	14	00419	00000
	BZ	THRIN2	03032	46	03064	01200
	S	419,425	03044	22	00419	00425
	B	THRIN1	03056	49	03008	00000
	DORG	*-3	03064			
THRIN2	TF	NUMBR3,COUNT1	03064	26	04987	05031
	MM	NUMBR3,5,10	03076	13	04987	00005
	TF	NUMTH1,99	03088	26	04890	00099
	TF	NAMPL2,INDEX3	03100	26	04892	05020
	AM	NAMPL2,1,10	03112	11	04892	00001
	M	CONSO4,NAMPL2	03124	23	05013	04892
	SF	95	03136	32	00095	00000
	SM	99,8,10	03148	12	00099	00008
	TF	NUMTH2,99	03160	26	04897	00099
	TF	DELTA,425	03172	26	05015	00425
	TF	XMINT,416	03184	26	05018	00416
	TFM	SUBRO6+11,NUMBR3	03196	16	02381	04987
	TFM	SUBR14+11,5,10	03208	16	02749	00005
	TFM	SUBR13+11,1,10	03220	16	02525	00001
	SM	431,10,10	03232	12	00431	00010
	CF	431	03244	33	00431	00000
	TD	SUBRO7+6,431	03256	25	02604	00431
	SM	431,1,10	03268	12	00431	00001
	TD	SUBRO2+11,431	03280	25	02645	00431
	TD	SUBR19+6,431	03292	25	02628	00431
	SM	431,3,10	03304	12	00431	00003
	TD	SUBR11+6,431	03316	25	02592	00431
	TFM	SUBRO2+6,20003	03328	16	02640	20003
THR100	TFM	19998,0,8	03340	16	19998	00000
	TF	IDENT4-1,410	03352	26	04903	00410

* THIRD SUMMATION, PREPARATION OF STORAGE FOR NEXT LINE

	TD	19999,400	03364	25	19999	00400
	TFM	THR101+6,20000,7	03376	16	03442	20000
	S	THR101+6,NUMTH1	03388	22	03442	04890
	TF	COUNT1,NUMBR3	03400	26	05031	04987
THR102	SM	COUNT1,1,10	03412	12	05031	00001
	BZ	THR103	03424	46	03468	01200
THR101	TR	19990,19995,2	03436	31	19990	19995

	AM	THR101+6,5,10	03448	11	03442	00005
	B	THR102	03460	49	03412	00000
	DORG	*-3	03468			
THR103	TFM	REGIS1,0,10	03468	16	04909	00000
THR107	S	SUBRO2+6,NUMTH1	03480	22	02640	04890

*
* THIRD SUMMATION, SELECTION OF AMPLITUDES
*

THR104	TF	461,6003,7	03492	26	00461	06003
THR105	TF	465,6007,7	03504	26	00465	06007
THR106	BT	SUBRO6,REGIS1	03516	27	02370	04909

*
* THIRD SUMMATION, INCREMENTING
*

	A	THR104+11,CONSO4	03528	21	03503	05013
	A	THR105+11,CONSO4	03540	21	03515	05013
	AM	REGIS1,1,10	03552	11	04909	00001
	C	REGIS1,NAMPL2	03564	24	04909	04892
	BNZ	THR107	03576	47	03480	01200
	S	THR104+11,NUMTH2	03588	22	03503	04897
	S	THR105+11,NUMTH2	03600	22	03515	04897
	WNTY	IDENT4-3	03612	38	04901	00100
	BD	THR110, TYPTAP	03624	43	03648	04874
	WNPT	IDENT4-3	03636	38	04901	00200
THR110	A	410,423	03648	21	00410	00423
	SPTY		03660	34	00000	00101
	BC2	PRINT2	03672	46	04236	00200

*
* ALPHANUMERIC PRINTING, PLOTTING
*

	TBTY		03684	34	00000	00108
PRINT1	TFM	COUNSH,0,9	03696	16	04912	00000
	TFM	PRTO11+11,20003,7	03708	16	03823	20003
	S	PRTO11+11,NUMTH1	03720	22	03823	04890
PRTO02	C	COUNSH,SHIFTC	03732	24	04912	05044
	BZ	PRTO01	03744	46	03788	01200
	SPTY		03756	34	00000	00101
	AM	COUNSH,1,10	03768	11	04912	00001
	B	PRTO02	03780	49	03732	00000
	DORG	*-3	03788			
PRTO01	A	SHIFTC,437	03788	21	05044	00437
	TF	COUNT4,NUMBR3	0380	26	04907	04987
PRTO11	TF	MULT01,20003,7	03812	26	04935	20003
	TDM	MULT01-4,0,11	03824	15	04931	00000
	CF	MULT01-3	03836	33	04932	00000
	S	MULT01,446	03848	22	04935	00446
	M	ALPHC1,MULT01	03860	23	05041	04935
	BNF	PRTO15,99	03872	44	03904	00099
PRTO05	TFM	95,41,1011	03884	16	00095	00041
	B	PRTO04	03896	49	03952	00000
	DORG	*-3	03904			
PRTO15	SF	94	03904	32	00094	00000
	AM	96,5,10	03916	11	00096	00005
	CM	95,38,10	03928	14	00095	00038
	BP	PRTO05	03940	46	03884	01100
PRTO04	A	19489,95	03952	21	19489	00095
	BC3	PRTO19	03964	46	03996	00300
	BD	PRTO16,19489	03976	43	04040	19489
	B	PRTO18	03988	49	04020	00000
	DORG	*-3	03996			

PRT019	CM	19489,61,10	03996	14	19489	00051
	BNN	PRT016	04008	46	04040	01300
PRT018	SPTY		04020	34	00000	00101
	B	PRT017	04032	49	04052	00000
	DORG	*-3	04040			
PRT016	WATY	19489	04040	39	19489	00100
PRT017	S	19489,95	04052	22	19489	00095
	TF	SPACEC,433	04064	26	04914	00433
PRT014	CM	SPACEC,0,10	04076	14	04914	00000
	BZ	PRT012	04088	46	04132	01200
	SPTY		04100	34	00000	00101
	SM	SPACEC,1,10	04112	12	04914	00001
	B	PRT014	04124	49	04076	00000
	DORG	*-3	04132			
PRT012	AM	PRT011+11,5,10	04132	11	03823	00005
	SM	COUNT4,1,10	04144	12	04907	00001
	BNZ	PRT011	04156	47	03812	01200
	TF	RETURC,435	04168	26	04916	00435
PRT013	CM	RETURC,1,1011	04180	14	04916	00001
	BZ	AFTER	04192	46	04656	01200
	RCTY		04204	34	00000	00102
	SM	RETURC,1,10	04216	12	04916	00001
	B	PRT013	04228	49	04180	00000
	DORG	*-3	04236			

*
* NUMERIC PRINTING
*

PRINT2	TFM	CLEAR1,20000,7	04236	16	05028	20000
	S	CLEAR1,NUMTH1	04248	22	05028	04890
	TFM	PRINC1,0,9	04260	16	04927	00000
PRT024	TFM	PRINC2,0,9	04272	16	04930	00000
PRT021	BD	PRT032, TYPTAP	04284	43	04320	04874
	TF	PRT033+6, CLEAR1	04296	26	04314	05028
PRT033	WNPT	20000,2	04308	38	20000	00200
PRT032	TF	PRT031+6, CLEAR1	04320	26	04338	05028
PRT031	CF	20000,2	04332	33	20000	00000
	TF	PRT022+11, CLEAR1	04344	26	04403	05028
PRT028	TFM	PRT028+9,4,10	04356	16	04365	00004
PRT029	SM	PRT028+9,1,10	04368	12	04365	00001
	BZ	PRT027	04380	46	04436	01200
PRT022	BD	PR 027,0	04392	43	04436	00000
	SPTY		04404	34	00000	00101
	AM	PRT022+11,1,10	04416	11	04403	00001
	B	PR 029	04428	49	04368	00000
	DORG	*-3	04436			
PRT027	TF	PRT020+6, PRT022+11	04436	26	04454	04403
PRT020	WNTY	20000,2	04448	38	20000	00100
	AM	PRINC1,1,10	04460	11	04927	00001
	AM	PRINC2,1,10	04472	11	04930	00001
PRT030	CM	PRINC2,16,9	04484	14	04930	00016
	BNZ	PRT023	04496	47	04588	01200
	RCTY		04508	34	00000	00102
	C	PRINC1, NUMBR3	04520	24	04927	04987
	BZ	AFTER	04532	46	04656	01200
	TFM	PRINC2,0,9	04544	16	04930	00000
	SM	PRINC1,1,10	04556	12	04927	00001
	TBTY		04568	34	00000	00108
	B	PRT032	04580	49	04320	00000
	DORG	*-3	04588			

PRT023 AM CLEAR1, 3, 10
 C RINC1, NUMBR3
 BZ PRT026
 PRTY
 PRT021
 DORG *-3
 PRT026 RC1

04588 11 05028 00085
 04600 24 04927 04987
 04612 46 04644 01200
 04624 34 00000 00101
 04636 49 04284 00000
 04644
 04644 34 00000 00102

THIRD SECTION TEST FOR NEXT LINE

AFTER C 413, ENT4-1
 BNZ THRID
 BNC2 AFTER2
 BNC3 AFTER2
 WATY MESS05
 RNTY 59
 B THRID
 DORG *-3

04656 24 00413 04903
 04668 47 03340 01200
 04680 47 04736 00200
 04692 47 04736 00300
 04704 39 04821 00100
 04716 36 00059 00100
 04728 49 02816 00000
 04736

TEST FOR NEXT SECTION

AFTER2 C 407, SECTX
 BZ AFTER3
 A SECTX, 421
 B START2
 DORG *-3
 AFTER3 WATY IDENT8
 H
 DORG *-9
 DENT2 DAC 13, HORIZ. INDEX3@
 MESS05 DAC 27, SET PS2, 3, TYPE ALPHASPECS @
 YPTAP DS 1
 IDENT8 DAC 5, MOO1@
 NUMTH1 DS 5
 AMPL2 DS 2
 NUMTH2 DS 5
 NUMBR2 DS 3
 DENT4 DC 4, 000@
 COUNT4 DS 3
 REGIS1 DS 2
 COUNSH DS 3
 PACEC DS 2
 RETURC DS 2
 CONS53 DC 8, 46100505
 RINC1 DS 3
 RINC2 DS 3
 MULT01 DS 5
 DENT1 DAC 8, SECTION@
 SECTX DS 3
 CONS12 DC 5, 19467
 GROUP2 DS 2
 GROUP3 DS 2
 SER010 DC 10, 0
 ARGUM DS 3
 CONS02 DC 6, 400004
 UMBOO DS 2
 NUMBR3 DS 3
 CONS05 DS 5
 DIVIS1 DS 6

04736 24 00407 04954
 04748 46 04780 01200
 04760 21 04954 00421
 04772 49 00540 00000
 04780
 04780 39 04877 00100
 04792 48 00000 00000
 04794
 04795 00013X2 HORIZ. INDEX3@
 04821 00027X2 SET PS2, 3, TYPE ALPHASPECS @
 04874 00001
 04877 00005X2 MOO1@
 04890 00005
 04892 00002
 04897 00005
 04900 00003
 04904 00004 000@
 04907 00003
 04909 00002
 04912 00003
 04914 00002
 04916 00002
 04924 00008 46100505
 04927 00003
 04930 00003
 04935 00005
 04937 00008X2 SECTION@
 04954 00003
 04959 00005 T9467
 04961 00002
 04963 00002
 04973 00010 0000000000
 04976 00003
 04982 00006 400004
 04984 00002
 04987 00003
 04992 00005
 04998 000 6

DIVISC	DC	6,3,000
WRALPA	DC	4,41@
CONSO4	DS	5
DELTA	DS	2
XMINT	DS	3
INDEX3	DS	2
COUNT9	DS	3
CLEAR1	DS	5
COUNT1	DS	3
ADDIN	DS	2
COUNT2	DS	2
ALPHC1	DS	6
SHIFTC	DS	3
IDENT6	DAC	15, LOAD DATA TAPE@
INFOM1	DAC	4, ER1@
INFOM2	DAC	4, ER2@
INFOM3	DAC	4, ER3@

05004	00006	380000
05008	00004	4104
05013	00005	
05015	00002	
05018	00003	
05020	00002	
05023	00003	
05028	00005	
05031	00003	
05033	00002	
05035	00002	
05041	00006	
05044	00003	
05047	00015X2	LOAD DATA TAPE#
05077	00004X2	ER1#
05085	00004X2	ER2#
05093	00 04X2	ER3#

*
*
*
*
*

THE REMAINDER OF THE PROGRAM IS USED ONLY ONCE FOR LOADING AND
INITIALIZATION PURPOSES, AND IS ERASED DURING THE CALCULATION
BY THE ANSWERS OF THE FIRST AND SECOND SUMMATION

DORG 10000 10000

*
*
*

LOADING OF COS AND SIN TABLE

TFM	COUNT8, 100, 9	10000	16	13730	00100
TFM	PREP04+6, 5100, 7	10012	16	10030	05100
PREP04	RNPT 5100	10024	36	05100	00300
AM	PREP04+6, 9, 10	10036	11	10030	00009
SM	COUNT8, 1, 10	10048	12	13730	00001
BNZ	PREP04	10060	47	10024	01200

*
*
*
*

GENERAL INITIALIZATION OF THE PROGRAM AND PREPARATION OF
THE SPECIFICATIONS OF THE CALCULATION

PREP00	RCTY	10072	34	00000	00102
	WATY MESS75	10084	39	13579	00100
	H	10096	48	00000	00000
	TDM TYPTAP, 1	10108	15	04874	00001
	RCTY	10120	34	00000	00102
	WATY MESS69	10132	39	13127	00100
	H	10144	48	00000	00000
	BC4 PREP01	10156	46	11488	00400
	RCTY	10168	34	00000	00102
	WATY MESS70	10180	39	13227	00100
	TBTY	10192	34	00000	00108
	RNTY IDENT9-6	10204	36	13738	00100
	SF IDENT9-6	10216	32	13738	00000
	RCTY	10228	34	00000	00102
	WATY MESS50	10240	39	12257	00100
	TBTY	10252	34	00000	00108
	RNTY 402	10264	36	00402	00100
	SF 402	10276	32	00402	00000
	TF SECTX, 404	10288	26	04954	00404
	RCTY	10300	34	00000	00102
	WATY MESS51	10312	39	12299	00100
	TBTY	10324	34	00000	00108
	RNTY 405	10336	36	00405	00100
	SF 405	10348	32	00405	00000
	RCTY	10360	34	00000	00102
	WATY MESS52	10372	39	12341	00100
	TBTY	10384	34	00000	00108
	RNTY 408	10396	36	00408	00100
	SF 4	10408	32	00408	00 00
	RCTY	10420	34	00000	00102
	WATY MESS53	10432	39	12383	00100
	TBTY	10444	34	00000	00108
	RNTY 411	10456	36	00411	00100
	SF 411	10468	32	00411	00000
	RCTY	10480	34	00000	00102
	WATY MESS54	10492	39	12425	00100
	TBTY	10504	34	00000	00108
	RNTY 414	10516	36	00414	00100
	SF 414	10528	32	00414	00000
	RCTY	10540	34	00000	00102
	WATY MESS55	10552	39	12467	00100

TBTY
 RNTY 417
 SF 417
 RCTY
 WATY MESS56
 TBTY
 RNTY 420
 SF 420
 RCTY
 WATY MESS57
 TBTY
 RNTY 422
 SF 422
 RCTY
 WATY MESS58
 TBTY
 RNTY 424
 SF 424
 RCTY
 WATY MESS59
 TBTY
 RNTY 426
 SF 426
 RCTY
 WATY MESS60
 TBTY
 RNTY 428
 SF 428
 RCTY
 WATY MESS61
 TBTY
 RNTY 430
 SF 430
 TFM 4-2, 10:00, 7
 TFM 4-5, 1000, 811
 BC2 PREPOS
 RCTY
 WATY MESS62
 TBTY
 RNTY 432
 SF 432
 RCTY
 WATY MESS63
 TBTY
 RNTY 434
 SF 434
 RCTY
 WATY MESS64
 TBTY
 RNTY 436
 SF 436
 RCTY
 WATY MESS65
 TBTY
 RNTY 438
 SF 438
 RCTY
 WATY MESS66
 TBTY

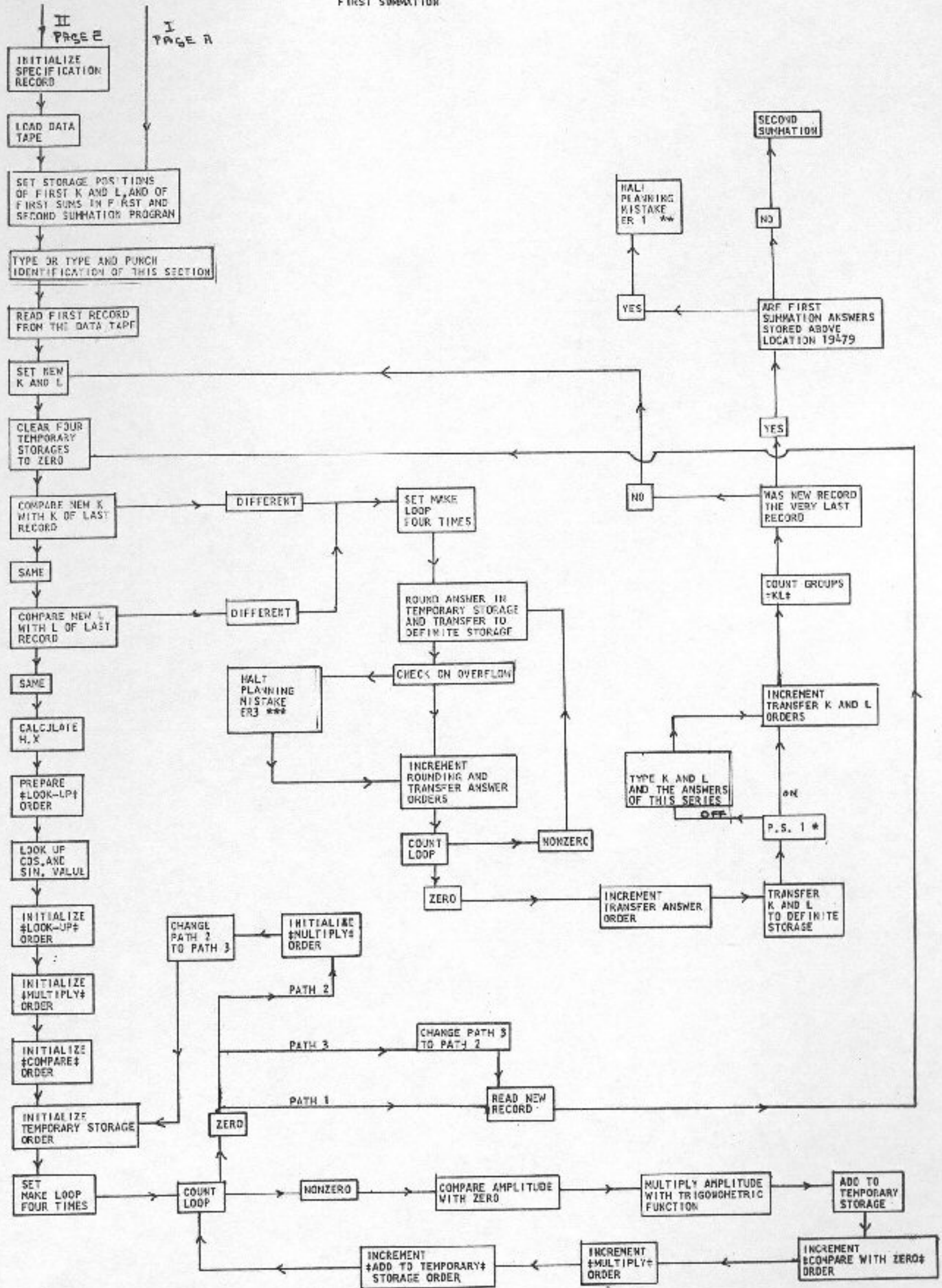
10564 34 00000 00108
 10576 36 00417 00100
 10588 32 00417 00000
 10600 34 00000 00102
 10612 39 12509 00100
 10624 34 00000 00108
 10636 36 00420 00100
 10648 32 00420 00000
 10660 34 00000 00102
 10672 39 12552 00100
 10684 34 00000 00108
 10696 36 00422 00100
 10708 32 00422 00000
 10720 34 00000 00102
 10732 39 12597 00100
 10744 34 00000 00108
 10756 36 00424 00100
 10768 32 00424 00000
 10780 34 00000 00102
 10792 39 12641 00100
 10804 34 00000 00108
 10816 36 00426 00100
 10828 32 00426 00000
 10840 34 00000 00102
 10852 39 12685 00100
 10864 34 00000 00108
 10876 36 00428 00100
 10888 32 00428 00000
 10900 34 00000 00102
 10912 39 12729 00100
 10924 34 00000 00108
 10936 36 00430 00100
 10948 32 00430 00000
 10960 16 00442 T0000
 10972 16 00446 0T000
 10984 46 11296 00200
 10996 34 00000 00102
 11008 39 12773 00100
 11020 34 00000 00108
 11032 36 00432 00100
 11044 32 00432 00000
 11056 34 00000 00102
 11068 39 12817 00100
 11080 34 00000 00108
 11092 36 00434 00100
 11104 32 00434 00000
 11116 34 00000 00102
 11128 39 12851 00100
 11140 34 00000 00108
 11152 36 00436 00100
 11164 32 00436 00000
 11176 34 00000 00102
 11188 39 12905 00100
 11200 34 00000 00108
 11212 36 00438 00100
 11224 32 00438 00000
 11236 34 00000 00102
 11248 39 12951 00100
 11260 34 00000 00108

	RNTY	443	11272	36	00443	00100
	SF	443	11284	32	00443	00000
PREP05	RCTY		11296	34	00000	00102
	WATY	MESS67	11308	39	13015	00100
	TBTY		11320	34	00000	00108
	RNTY	447	11332	36	00447	00100
	SF	447	11344	32	00447	00000
	RCTY		11356	34	00000	00102
	WATY	MESS68	11368	39	13065	00100
	TBTY		11380	34	00000	00108
	RNTY	451	11392	36	00451	00100
	RCTY		11404	34	00000	00102
	WATY	MESS71	11416	39	13301	00100
	H		11428	48	00000	00000
	WNPT	IDENT9-6	11440	38	13738	00200
	TD	452, 400	11452	25	00452	00400
	WNPT	402	11464	38	00402	00200
	B	PREP02	11476	49	11596	00000
PREP01	BNC2	PREP10	11488	47	11524	00200
	TFM	442, 10000, 7	11500	16	00442	00000
	TFM	446, 1000, 8	11512	16	00446	00000
PREP10	RCTY		11524	34	00000	00102
	WATY	MESS72	11536	39	13377	00100
	H		11548	48	00000	00000
	RNPT	IDENT9-6	11560	36	13738	00300
	RNPT	402	11572	36	00402	00300
	TF	SECTX, 404	11584	26	04954	00404
PREP02	BNC2	PREP06	11596	47	11800	00200
	RCTY		11608	34	00000	00102
	WATY	MESS74	11620	39	13503	00100
	TBTY		11632	34	00000	00108
	RNTY	PRTO30+9	11644	36	04493	00100
	SF	PRTO30+9	11656	32	04493	00000
	RCTY		11668	34	00000	00102
	WATY	MESS73	11680	39	13425	00100
	TBTY		11692	34	00000	00108
	RNTY	TYPTAP	11704	36	04874	00100
	BD	PREP06, TYPTAP	11716	43	11800	04874
	BNC4	PREP06	11728	47	11800	00400
	RCTY		11740	34	00000	00102
	WATY	MESS76	11752	39	13621	00100
	H		11764	48	00000	00000
	WNPT	IDENT9-6	11776	38	13738	00200
	WNPT	402	11788	38	00402	00200
PREP06	SM	427, 10, 10	11800	12	00427	00000
	CF	427	11812	33	00427	00000
	TD	NEWS21+6, 427	11824	25	01394	00427
	SM	427, 1, 10	11836	12	00427	00001
	TD	NEWS24+6, 427	11848	25	01418	00427
	TD	NEWS12+11, 427	11860	25	01435	00427
	SM	427, 3, 10	11872	12	00427	00003
	TD	NEWS20+6, 427	11884	25	01382	00427
	SM	427, 1, 10	11896	12	00427	00001
	TD	NEWS19+11, 427	11908	25	01447	00427
	BD	PREP03, 451	11920	43	11944	00451
	B	PREP07	11932	49	11956	00000
PREP03	TF	NEWS56+11, INWS07+11	11944	25	01187	13727
PREP07	TD	IDENT3+32*2-4, 425	11956	25	13713	00425
	TD	IDENT3+32*2-6, 424	11968	25	13711	00424
	TD	IDENT3+32*2-26, 419	11980	25	13691	00419

TD	IDENT3+32*2-28,418	11992	25	13689	00418
TD	IDENT3+32*2-32,417	12004	25	13685	00417
TD	IDENT3+32*2-48,416	12016	25	13669	00416
TD	IDENT3+32*2-50,415	12028	25	13667	00415
TR	29,402	12040	31	00029	00402
RCTY		12052	34	00000	00102
WATY	IDENT6	12064	39	05047	00100
H		12076	48	00000	00000
RNPT	15000	12088	36	15000	00300
RCTY		12100	34	00000	00102
WNTY	IDENT7-6	12112	38	13731	00100
WNTY	IDENT9-6	12124	38	13738	010
WNTY	15000	12136	38	15000	00100
BD	PREP11, TYPTAP	12148	43	12184	04874
WNPT	IDENT7-6	12160	38	13731	00200
WNPT	15000	12172	38	15000	00200
PREP11	RCTY	12184	34	00000	00102
	WATY IDENT3	12196	39	13653	00100
	RCTY	12208	34	00000	00102
	RCTY	12220	34	00000	00102
TD	19959,400	12232	25	19959	00400
B	START0	12244	49	00600	00000
MESS50	DAC 21, TYPE 1ST SUM MIN.(3)@	12257	00021X2	TYPE 1ST SUM MIN.(3)†	
MESS51	DAC 21, TYPE 1ST SUM MAX.(3)@	12299	00021X2	TYPE 1ST SUM MAX.(3)†	
MESS52	DAC 21, TYPE 2ND SUM MIN.(3)@	12341	00021X2	TYPE 2ND SUM MIN.(3)†	
MESS53	DAC 21, TYPE 2ND SUM MAX.(3)@	12383	00021X2	TYPE 2ND SUM MAX.(3)†	
MESS54	DAC 21, TYPE 3RD SUM MIN.(3)@	12425	00021X2	TYPE 3RD SUM MIN.(3)†	
MESS55	DAC 21, TYPE 3RD SUM MAX.(3)@	12467	00021X2	TYPE 3RD SUM MAX.(3)†	
MESS56	DAC 22, TYPE 1ST SUM DELTA(2)@	12509	00022X2	TYPE 1ST SUM DELTA(2)†	
MESS57	DAC 22, TYPE 2ND SUM DELTA(2)@	12553	00022X2	TYPE 2ND SUM DELTA(2)†	
MESS58	DAC 22, TYPE 3RD SUM DELTA(2)@	12597	00022X2	TYPE 3RD SUM DELTA(2)†	
MESS59	DAC 22, TYPE 1ST SUM SHIFT(2)@	12641	00022X2	TYPE 1ST SUM SHIFT(2)†	
MESS60	DAC 22, TYPE 2ND SUM SHIFT(2)@	12685	00022X2	TYPE 2ND SUM SHIFT(2)†	
MESS61	DAC 22, TYPE 3RD SUM SHIFT(2)@	12729	00022X2	TYPE 3RD SUM SHIFT(2)†	
MESS62	DAC 22, TYPE HORIZ. SPACING(2)@	12773	00022X2	TYPE HORIZ. SPACING(2)†	
MESS63	DAC 22, TYPE VERT. SPACING(2)@	12817	00022X2	TYPE VERT. SPACING(2)†	
MESS64	DAC 22, TYPE SHIFT SPACING(2)@	12861	00022X2	TYPE SHIFT SPACING(2)†	
MESS65	DAC 28, TYPE HIGH LIMIT OF PEAKS(5)@				
	2905 00028X2 TYPE HIGH LIMIT OF PEAKS(5)†				
MESS66	DAC 27, TYPE LOW LIMIT OF PEAKS(4)@	12961	00027X2	TYPE LOW LIMIT OF PEAKS(4)†	
MESS67	DAC 25, TYPE NUMBER OF GROUPS(4)@	13015	00025X2	TYPE NUMBER OF GROUPS(4)†	
MESS68	DAC 31, CENTROSYM=1, NONCENTROSYM=0 (1)@				
	13065 00031X2 CENTROSYM=1, NONCENTROSYM=0 (1)†				
MESS69	DAC 50, WHEN SPECS ARE TYPED SET SW4 OFF FROM TAPE SW4 ON@				
	3127 00050X2 WHEN SPECS ARE TYPED SET SW4 OFF FROM TAPE SW4 ON†				
MESS70	DAC 37, TYPE IDENT OF SPECS TAPE NOW MADE(6)@				
	13227 00037X2 TYPE IDENT OF SPECS TAPE NOW MADE(6)†				
MESS71	DAC 38, MAKE LEADER. SPECS TAPE IS PUNCHED OUT@				
	13301 00038X2 MAKE LEADER. SPECS TAPE IS PUNCHED OUT†				
MESS72	DAC 24, LOAD SPECIFICATION TAPE@	13377	00024X2	LOAD SPECIFICATION TAP	
MESS73	DAC 39, OUTPUT. TYPE ONLY=1, TAPE AND TYPE=0 (1)@				
	3425 00039X2 OUTPUT. TYPE ONLY=1, TAPE AND TYPE=0 (1)†				
MESS74	DAC 38, TYPE IN NUMBER OF ANSWERS ON A ROW(3)@				
	3503 00038X2 TYPE IN NUMBER OF ANSWERS ON A ROW(3)†				
MESS75	DAC 21, SET PROGRAM SWITCHES@	13579	00021X2	SET PROGRAM SWITCHES†	
MESS76	DAC 16, MAKE TAPELEADER@	13621	00016X2	MAKE TAPELEADER†	

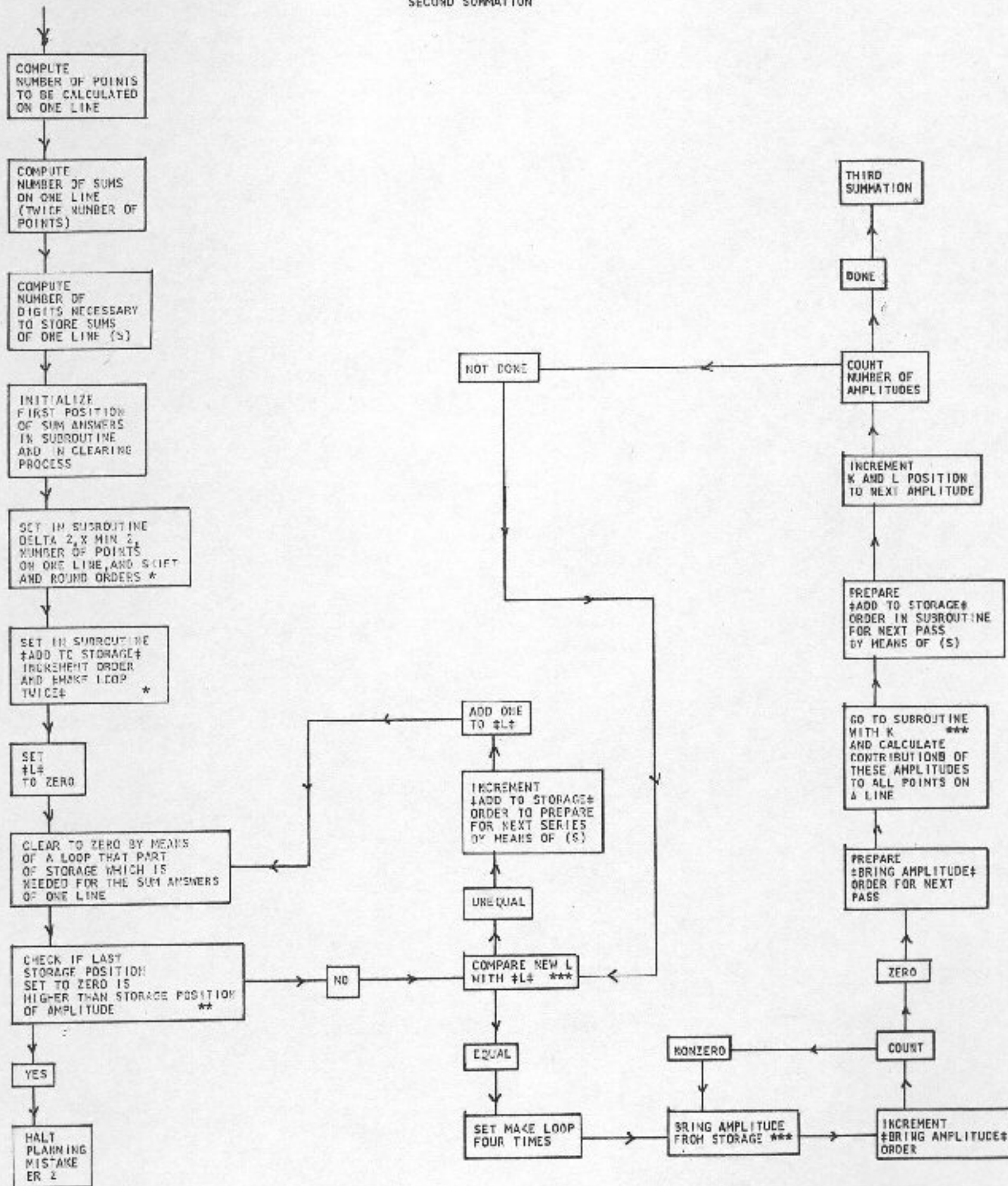
IDENT3	DAC	32	XMIN3=	.00	XMAX3=	0.00	DELTA3=	.00@		
13653	00032X2		XMIN3=	.00	XMAX3=	0.00	DELTA3=	.0	*	
INWS07	BN	NEWS58,								13716 47 01332 01300
COUNT8	DS	3								13730 00003
IDENT7	DC	7,043001@								13737 00007 043001‡
IDENT9	DC	7,00 000@								13744 00007 000000‡
	DEND	10000								10000
END OF PASS11										

FIRST SUMMATION



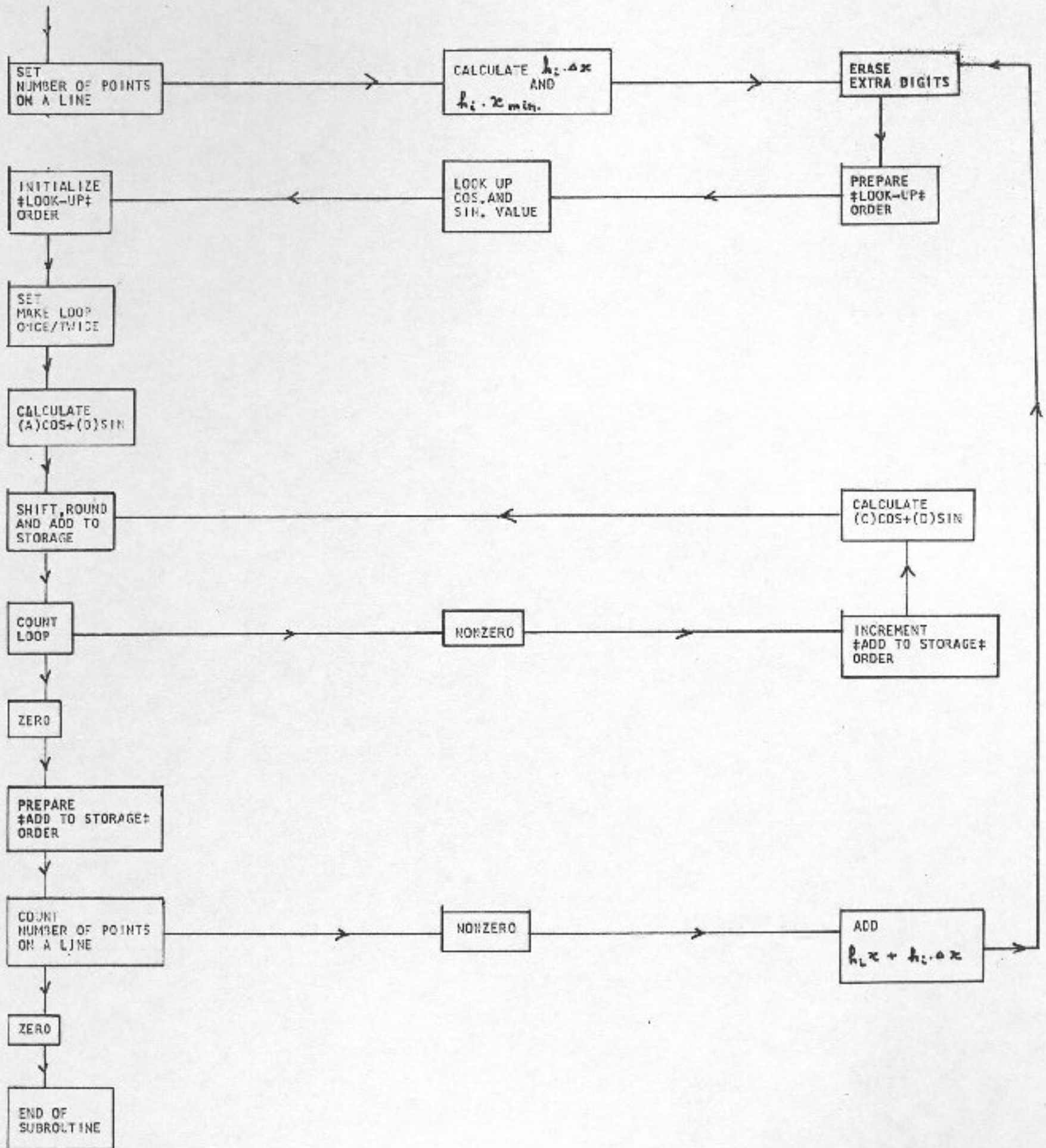
* PROGRAM SWITCH
 **NUMBER OF GROUPS IN SPECIFICATION RECORD IS TOO SMALL.
 ***SHIFT GROUP IN THE 1ST SUMMATION SHOULD BE INCREASED.

SECOND SUMMATION

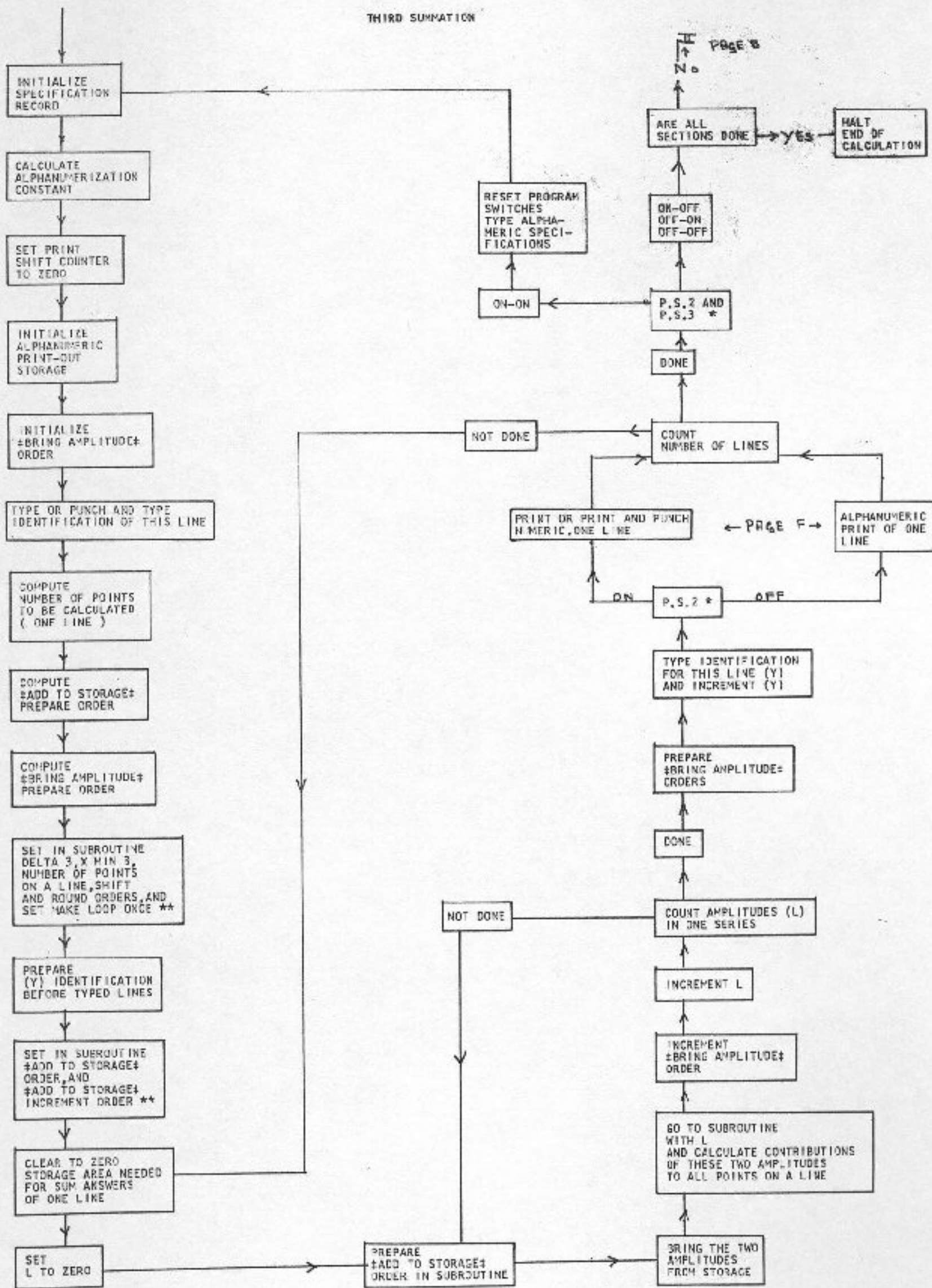


* SEE SUBROUTINE
 ** THIS IS A CHECK TO SEE IF THERE IS A MOMENTARY OVERLAP OF FIRST AND SECOND SUMMATION (AMPLITUDES-SUM ANSWERS).
 THE FIRST SUMMATION ANSWERS (HERE AMPLITUDES) ARE USED SERIALLY WHILE THE SECOND SUM ANSWERS ARE STORED SERIALLY.
 THE SECOND SUM ANSWERS ARE STORED FROM POSITION 05000 - UP, WHILE THE FIRST SUM ANSWERS ARE STORED UP TO LOCATION 19479.
 ***THE POSITIONS OF K AND L, AND OF FIRST AMPLITUDE ARE INITIALIZED DURING THE FIRST SUMMATION.

SUBROUTINE

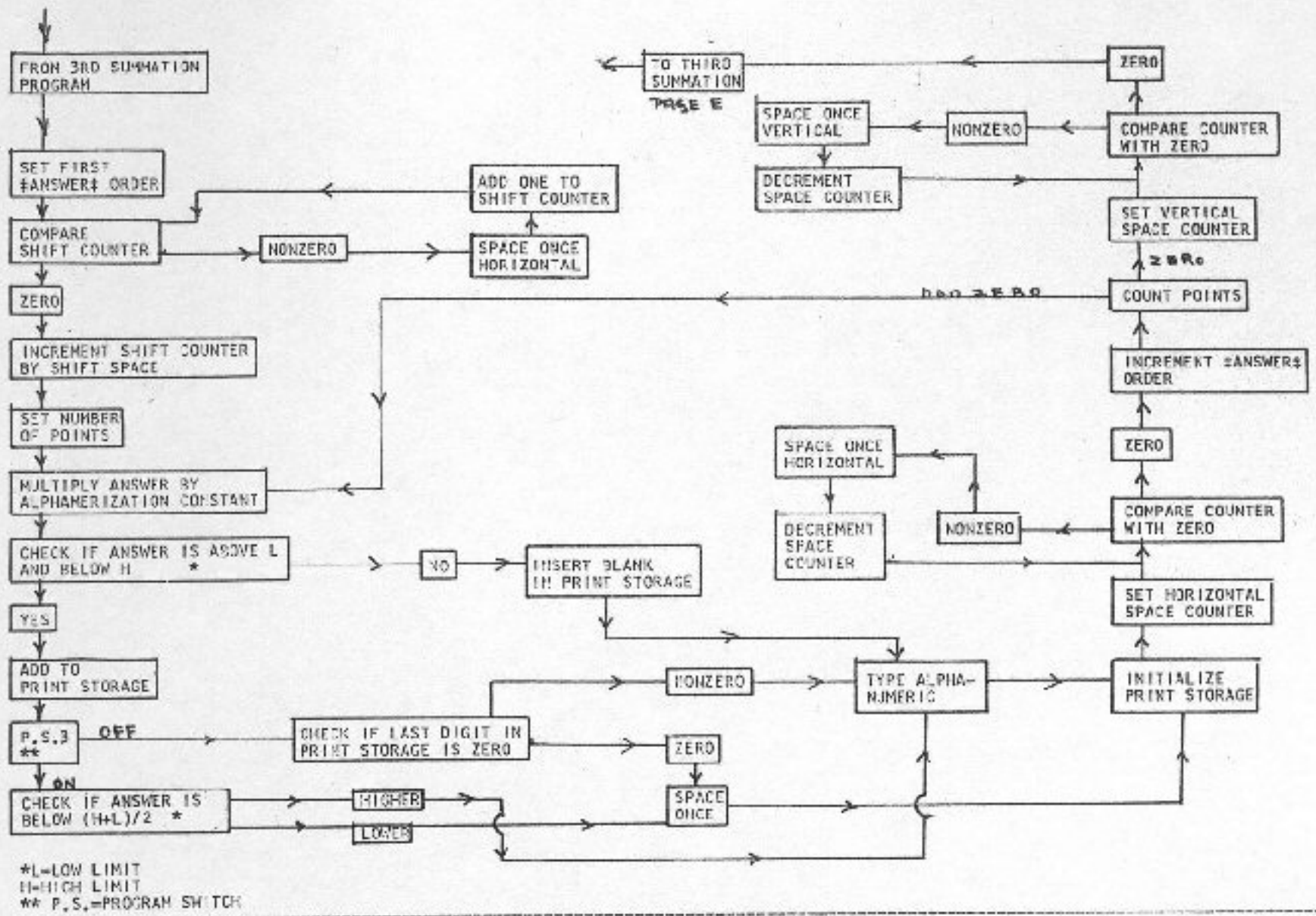


THIRD SUMMATION



* PROGRAM SWITCHES
 ** SEE SUBROUTINE

ALPHANUMERIC PRINT-OUT



NUMERIC PRINT-OUT

